

**CUSTOMER SERVICE TERMINATION ENCLOSURE (With or Without Metering)
CATALOG NUMBER AND DATA SHEET (To be included with all CSTE orders)**

DIMENSIONS:

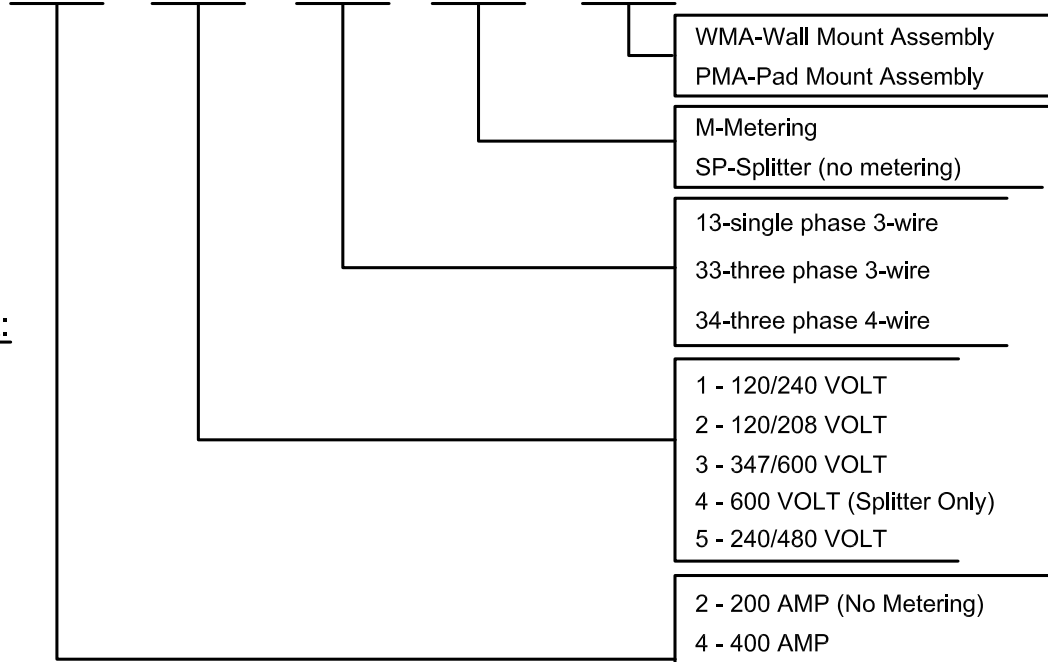
WALL MOUNT: 40"high x 36 1/4"wide x 15 3/4"deep
PAD MOUNT: 46"high x 36 1/4"wide x 15 3/4"deep

WEIGHT:

Approx. 250 lbs

400 amp 1Ø Metering
Wall Mount use CSTE331

CSTE 431 - - - - -



JOB NUMBER:

SKETCH NUMBER:

SK-

DATE:

DRAWN:

CHECKED:

- Remote Meter Cabinet required.
- Remote Meter Cabinet will be supplied loose.

<u>LINE LUGS (INCOMING)</u> QUANTITY PER Ø & NEUTRAL	<u>LOAD LUGS (OUTGOING)</u> QUANTITY PER Ø & NEUTRAL	<u>GROUND LUGS</u>																																													
<input type="checkbox"/> STANDARD PROVISION FOR (2)-2-HOLE NEMA MAX. 750 MCM COMPRESSION LUGS (4)- 2-HOLE NEMA MAX. IN CONTINUOUS BUS SPLITTERS																																															
<table border="0"> <tr> <td>Qty. Single</td> <td>Twin</td> <td></td> </tr> <tr> <td>___ <input type="checkbox"/></td> <td><input type="checkbox"/></td> <td>2/0 (14 to 2/0)</td> </tr> <tr> <td>___ <input type="checkbox"/></td> <td><input type="checkbox"/></td> <td>250 (6 to 250)</td> </tr> <tr> <td>___ <input type="checkbox"/></td> <td><input type="checkbox"/></td> <td>350 (6 to 350)</td> </tr> <tr> <td>___ <input type="checkbox"/></td> <td><input type="checkbox"/></td> <td>600 (2 to 600)</td> </tr> <tr> <td>___ <input type="checkbox"/></td> <td><input type="checkbox"/></td> <td>800 (300 to 800)</td> </tr> </table>	Qty. Single	Twin		___ <input type="checkbox"/>	<input type="checkbox"/>	2/0 (14 to 2/0)	___ <input type="checkbox"/>	<input type="checkbox"/>	250 (6 to 250)	___ <input type="checkbox"/>	<input type="checkbox"/>	350 (6 to 350)	___ <input type="checkbox"/>	<input type="checkbox"/>	600 (2 to 600)	___ <input type="checkbox"/>	<input type="checkbox"/>	800 (300 to 800)	<table border="0"> <tr> <td>Qty. Single</td> <td>Twin</td> <td></td> </tr> <tr> <td>___ <input type="checkbox"/></td> <td><input type="checkbox"/></td> <td>2/0 (14 to 2/0)</td> </tr> <tr> <td>___ <input type="checkbox"/></td> <td><input type="checkbox"/></td> <td>250 (6 to 250)</td> </tr> <tr> <td>___ <input type="checkbox"/></td> <td><input type="checkbox"/></td> <td>350 (6 to 350)</td> </tr> <tr> <td>___ <input type="checkbox"/></td> <td><input type="checkbox"/></td> <td>600 (2 to 600)</td> </tr> <tr> <td>___ <input type="checkbox"/></td> <td><input type="checkbox"/></td> <td>800 (300 to 800)</td> </tr> </table>	Qty. Single	Twin		___ <input type="checkbox"/>	<input type="checkbox"/>	2/0 (14 to 2/0)	___ <input type="checkbox"/>	<input type="checkbox"/>	250 (6 to 250)	___ <input type="checkbox"/>	<input type="checkbox"/>	350 (6 to 350)	___ <input type="checkbox"/>	<input type="checkbox"/>	600 (2 to 600)	___ <input type="checkbox"/>	<input type="checkbox"/>	800 (300 to 800)	<table border="0"> <tr> <td>Qty. Single</td> <td>Twin</td> <td></td> </tr> <tr> <td>___ <input type="checkbox"/></td> <td><input type="checkbox"/></td> <td>2/0 (14 to 2/0)</td> </tr> <tr> <td>___ <input type="checkbox"/></td> <td><input type="checkbox"/></td> <td>250 (6 to 250)</td> </tr> </table>	Qty. Single	Twin		___ <input type="checkbox"/>	<input type="checkbox"/>	2/0 (14 to 2/0)	___ <input type="checkbox"/>	<input type="checkbox"/>	250 (6 to 250)
Qty. Single	Twin																																														
___ <input type="checkbox"/>	<input type="checkbox"/>	2/0 (14 to 2/0)																																													
___ <input type="checkbox"/>	<input type="checkbox"/>	250 (6 to 250)																																													
___ <input type="checkbox"/>	<input type="checkbox"/>	350 (6 to 350)																																													
___ <input type="checkbox"/>	<input type="checkbox"/>	600 (2 to 600)																																													
___ <input type="checkbox"/>	<input type="checkbox"/>	800 (300 to 800)																																													
Qty. Single	Twin																																														
___ <input type="checkbox"/>	<input type="checkbox"/>	2/0 (14 to 2/0)																																													
___ <input type="checkbox"/>	<input type="checkbox"/>	250 (6 to 250)																																													
___ <input type="checkbox"/>	<input type="checkbox"/>	350 (6 to 350)																																													
___ <input type="checkbox"/>	<input type="checkbox"/>	600 (2 to 600)																																													
___ <input type="checkbox"/>	<input type="checkbox"/>	800 (300 to 800)																																													
Qty. Single	Twin																																														
___ <input type="checkbox"/>	<input type="checkbox"/>	2/0 (14 to 2/0)																																													
___ <input type="checkbox"/>	<input type="checkbox"/>	250 (6 to 250)																																													

NOTES:

- 1) Applications with 3Ø metering a Remote Meter Cabinet is required.
- 2) Applications with metering are Suitable for up to 1000 AMPS maximum.
- 3) Applications of continuous bus splitter with NO metering are Suitable for up to 1000 AMPS
- 4) Applications of CSTE431 with splitter blocks with NO metering are Suitable for up to 600 AMPS
- 5) Applications with metering, the load bus is suitable for max. 8-350 MCM or 6-600 MCM or 4-800 MCM conductors per Ø and neutral
- 6) Applications of continuous bus splitter with NO metering are suitable for max. 12- 600 MCM OR 6-800MCM conductors per. Ø and neutral.